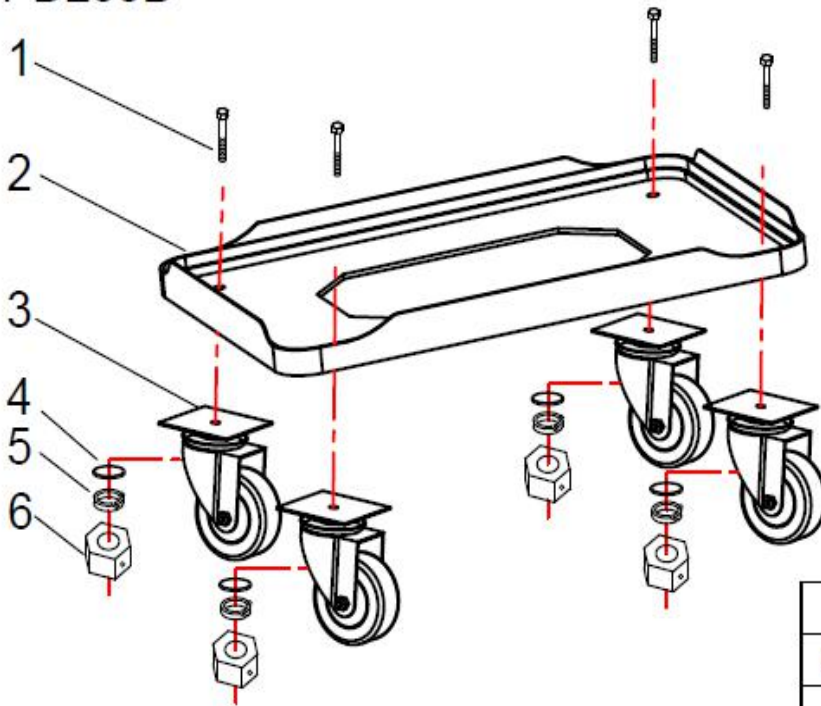


PD250B

No.	Description	Qty	EX WORK PRICE
1	Bolts	4	
2	Platform	1	
3	Swivel wheels	4	
4	Spring	4	
5	Washer	4	
6	Nut	4	

PD250B



PD250B		
No.	Description	Qty
1	Bolts M10x35	4
2	Platform	1
3	Swivel wheels	4
4	Spring	4
5	Washer 10	4
6	Nut M10	4